

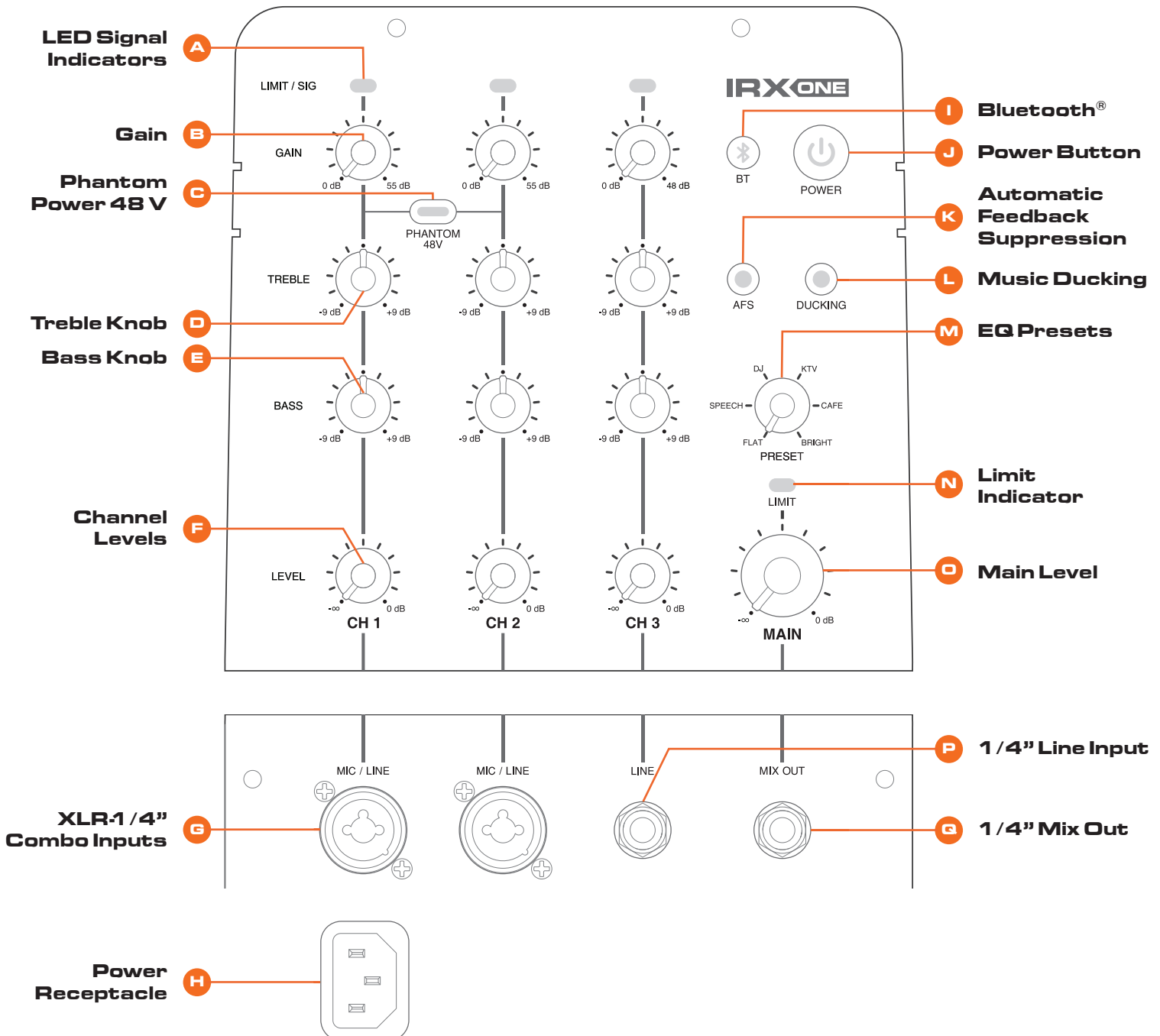
QUICKSTART GUIDE

1. POWER ON THE UNIT

1. Connect the power cord to the **Power Receptacle (H)**.
2. Press the **Power Button (J)** switch for .5 of a second to engage power.

2. PLUG IN THE INPUTS

1. Turn the **Main Level Knob (O)** all the way to the left before connecting any inputs.
2. Connect your devices to the **Input Jacks (G, P)**.



3. SET UP THE CHANNELS

1. Select a Preset using the **EQ Preset Knob (M)**.
2. Determine the **CH1 - CH3 Gain (B)** source. For microphone set to 3 o'clock. For line source set to 9 o'clock.
3. Adjust channel Levels **(F)** to achieved desired mix
4. Slowly turn the **Main Level Knob (O)** to the right until the desired volume is reached.

4. PAIR Bluetooth™ AUDIO

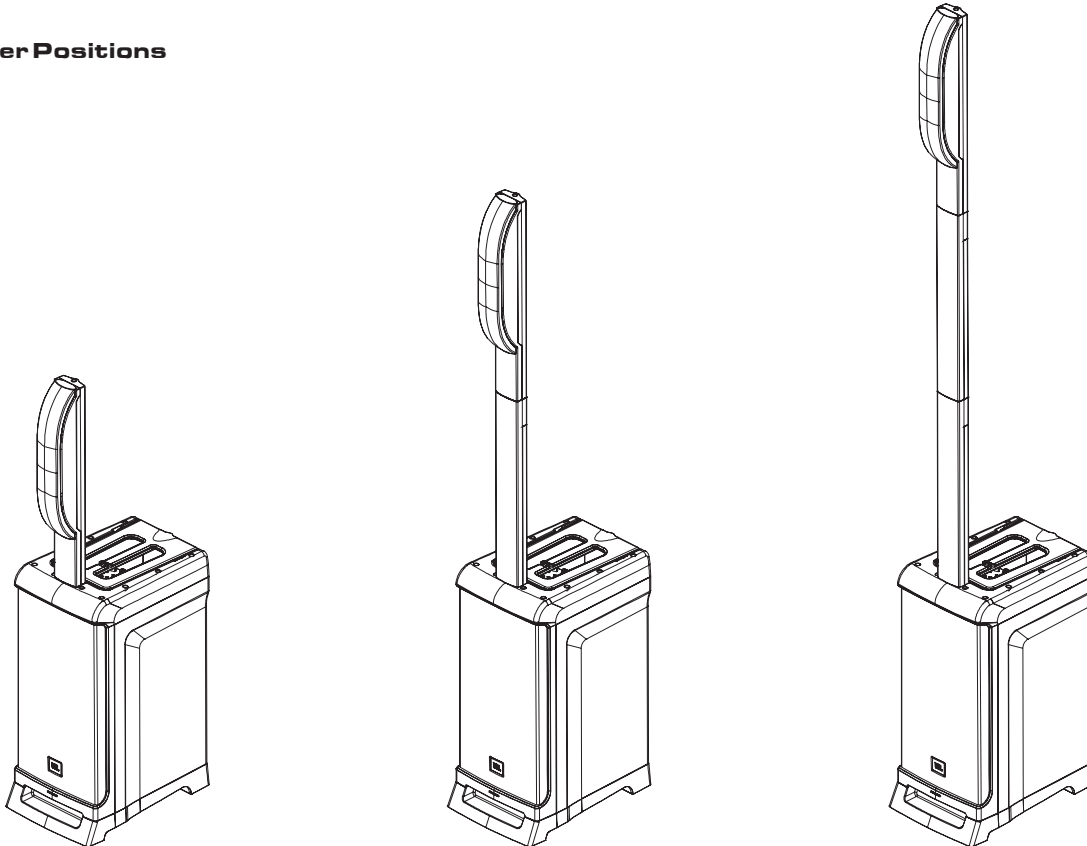
This device supports Bluetooth audio streaming.

To connect your device:

1. Turn on Bluetooth on your source device.
2. Hold the **Bluetooth (I)** button for 2 seconds. The LED will blink when the IRX Speaker is in pairing mode.
3. Find the desired IRX speaker on your device and select.

5. PLACE IN DESIRED LISTENING POSITION

Speaker Positions



Pour la version française de ce document, veuillez visiter le site www.jblpro.com/irxone

Die deutsche Version dieses Dokuments finden Sie unter www.jblpro.com/irxone

Para la versión en español de este documento, por favor visite www.jblpro.com/irxone

Para a versão em português deste documento, visite www.jblpro.com/irxone

Per la versione italiana di questo documento, visitare www.jblpro.com/irxone

이 문서의 한국어 버전은 www.jblpro.com/irxone 를 방문하십시오

有關本文檔的中文版，請訪問 www.jblpro.com/irxone

For complete documentation, visit
www.jblpro.com/irxone