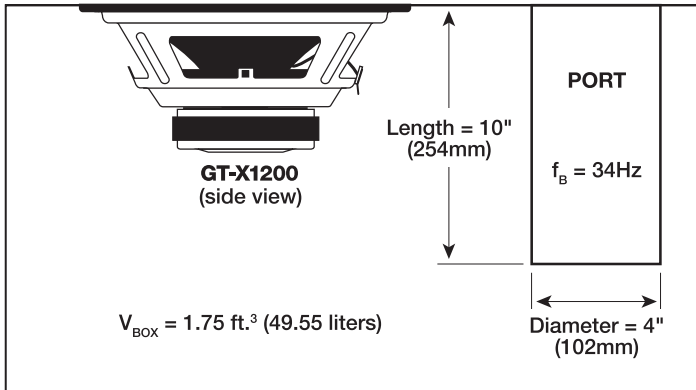
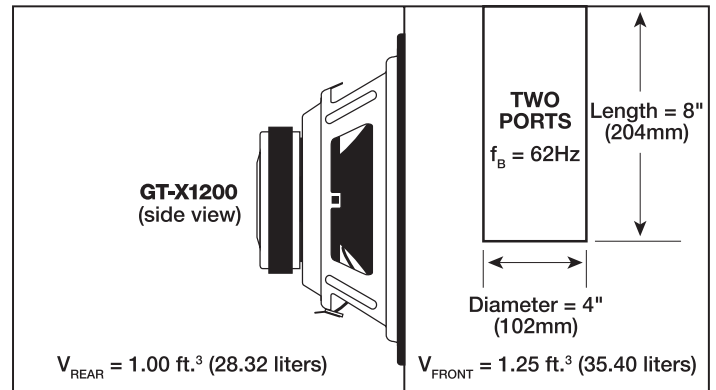


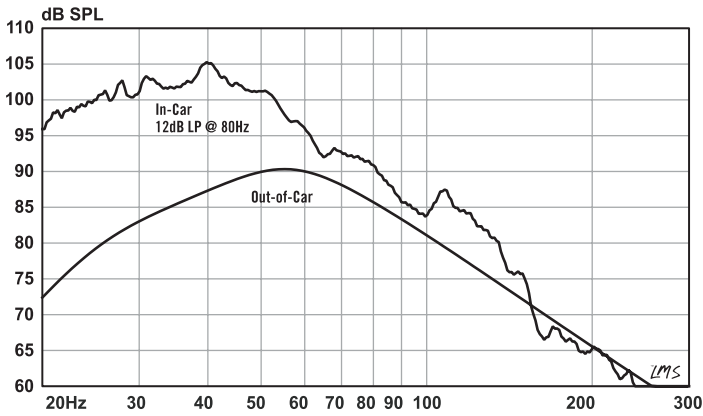
**VENTED BOX VOLUME
(INCLUDES DRIVER/PORT DISPLACEMENTS)**



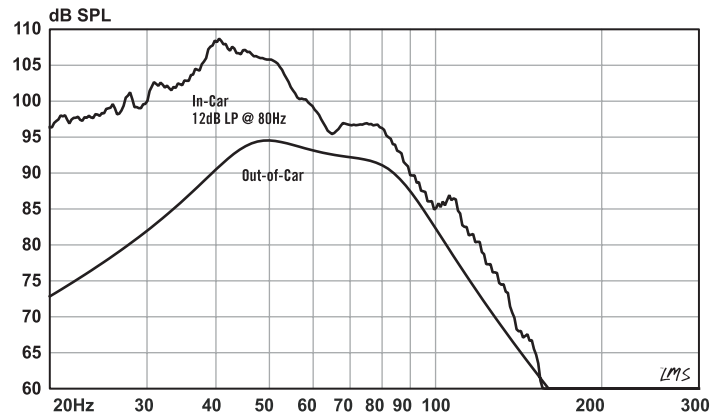
**BAND-PASS BOX VOLUME
(INCLUDES DRIVER/PORT DISPLACEMENTS)**



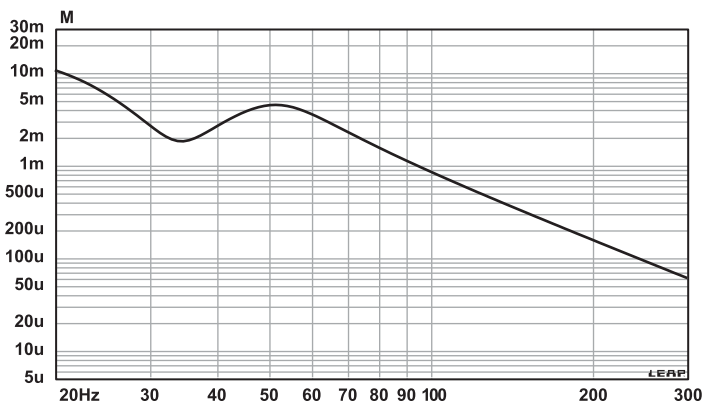
**VENTED ENCLOSURE
FREQUENCY RESPONSE @ 2.83V**



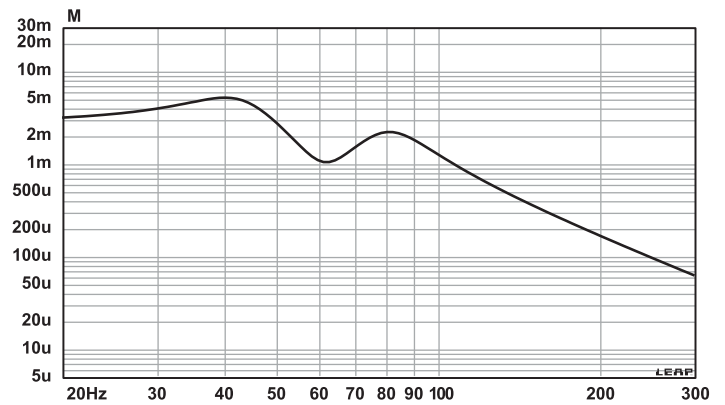
**BAND-PASS ENCLOSURE
FREQUENCY RESPONSE @ 2.83V**



**VENTED ENCLOSURE
CONE EXCURSION @ 250W**



**BAND-PASS ENCLOSURE
CONE EXCURSION @ 250W**



HARMAN HARMAN International Industries, Inc.
8500 Balboa Boulevard, Northridge, CA 91329 USA

© 2014 HARMAN International Industries, Incorporated. All rights reserved.

JBL is a trademark of HARMAN International Industries, Incorporated, registered in the United States and/or other countries.

Features, specifications and appearance are subject to change without notice.

Part No. JBLP3297 Rev. A